

## TECHNICAL INFORMATION:



A single stage setting tool that is light weight, short in length and with a simple design making it easy to redress providing fast turnaround times ideal for stage Frac operations.

An oil damping system built into the top cylinder allows for self-bleeding based on temperature increases. At ignition of the power charge, gas is generated and flows through the piston creating pressure that strokes the tool. During that time oil is forced through the damping system and out of the tool at a controlled rate providing damping that prevents tool damage.

Once the required setting force has been reached and the tool has been released, this allows the bleed port to open and releases the gas pressure into the wellbore before retrieval.

### ADVANTAGES:

- Pressure balanced top and bottom pistons which eliminates presetting of plugs, caused by high hydrostatic pressure.
- Short compact design
- Tool does not require manual bleed off at surface.
- Ideal for vertical and horizontal applications.

### SPECIFICATIONS:

O.D. (in)[mm]	3.50 [ 89 ]
Assembly Part Number	SET-3500-000
Max. Temperature (°F)[°C]	400 [ 204 ]
Max. Pressure (psi)[MPa]	15,000 [ 103 ]
Length (ft)[m]	4 [ 1.21 ]
Empty Weight (lbm)[kg]	90 [ 40.8 ]
Stroke (in)[cm]	9.6 [ 24.38 ]
Max Setting Force (lbf)[kN]	55,000 [ 245 ]
Fishing Strength (lbf)[kN]	136,000 [ 605 ]
Upper Head Connection	3-1/8 inch Go

### POWER CHARGE

POWER CHARGE	IGNITER
JEC-5321-030	DET-5306-074
CPC-3500-000	DET-5306-075

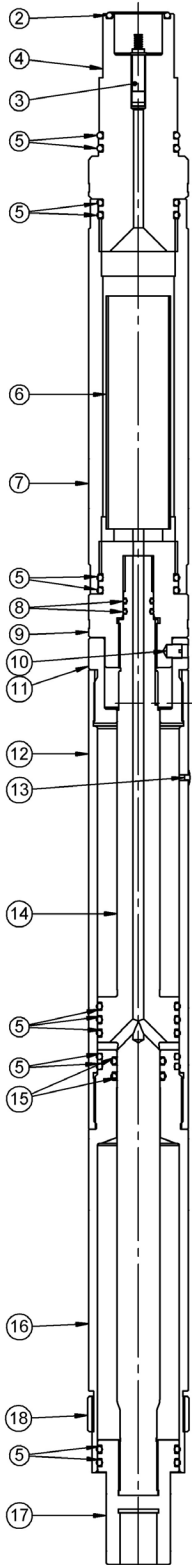
### REDRESS KITS

REDRESS KIT	TEMPERATURE RATING (°F)[°C]
SET-3500-040	32 °F - 400 °F [ 0 °C - 204 °C ]
SET-3500-041	32 °F - 350 °F [ 0 °C - 117 °C ]

### BAKER ADAPTER KITS:

TOOL	PART NUMBER
No. 10	SET-5303-117
No. 20	SET-5303-120

## SCHEMATIC AND BILL OF MATERIAL:

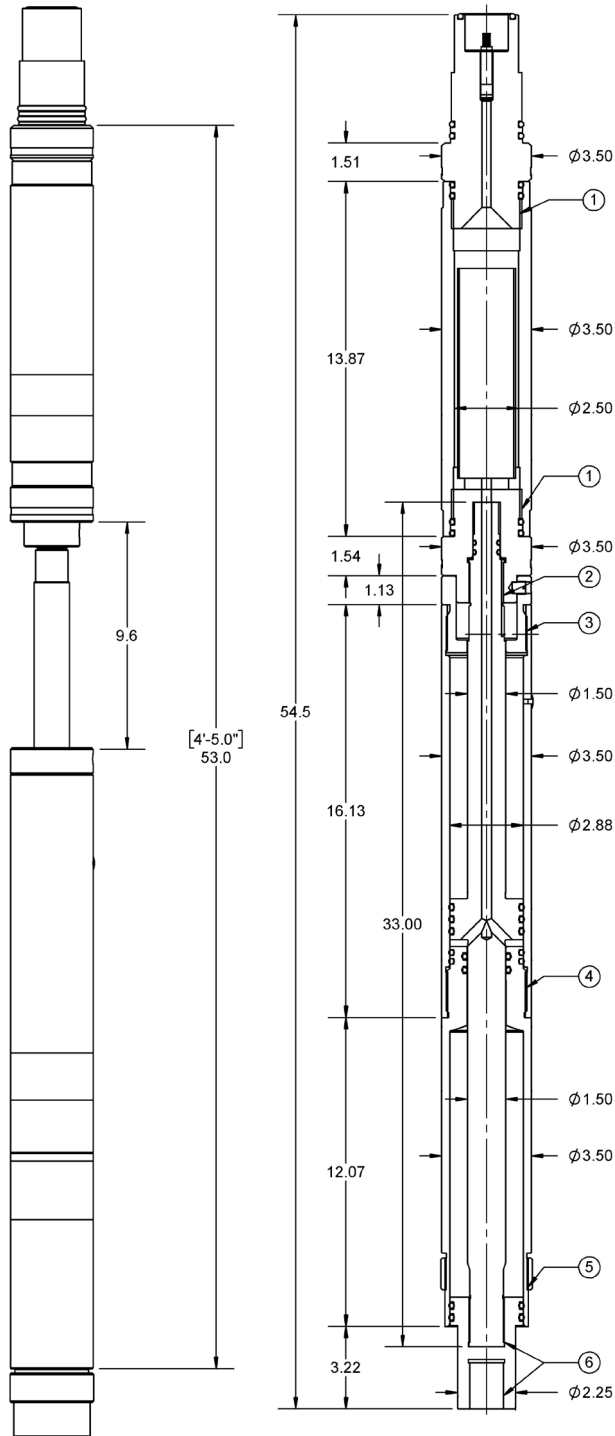


ITEM	QTY.	PART NUMBER	DESCRIPTION
1		SET-3500-000	3.5 INCH SETTING TOOL
	-		ITEMS 3 AND 6 NOT INCLUDED
2	1	OOO-V569-328	O-RING
3	1	DET-5306-074	074 IGNITER
		DET-5306-075	075 IGNITER
4	1	SET-3500-010	FIRING HEAD
5	13	OOO-V569-332	O-RING
6	1	JEC-5321-030	POWER CHARGE
		CPC-3500-000	
7	1	SET-3500-002	POWDER CHAMBER
8	2	OOO-V569-211	O-RING
9	1	SET-3500-003	SHEAR SUB
10	1	SET-3500-022	SHEAR PIN - 3-1/2IN BRASS SET. TOOL
11	1	SET-3500-004	SHEAR SLEEVE
12	1	SET-3500-006	PRESSURE CYLINDER
13	1	SET-3500-030	PLUG .200 NYLON
14	1	SET-3500-005	WORKING PISTON
15	2	OOO-V569-325	O-RING
16	1	SET-3500-007	BOTTOM CYLINDER
17	1	SET-3500-008	BOTTOM PISTON
18	1	SET-3500-009	LOCK RING
		AES-AS9000-28	ASSY - 3.25 INCH O.D. QUICK CHANGE

## INSPECTION DIMENSIONS:



**Note:** *Inspect all sealing surfaces for corrosion or any other damage.*



## CONNECTION STRENGTH:

CONNECTION	TENSILE STRENGTH (lbf, daN)	
1	413,000	183,712
2	136,000	60,496
3	580,000	257,997
4	635,000	282,462
5	144,000	64,054
6	166,000	73,840