

*Patent #6505559

Description

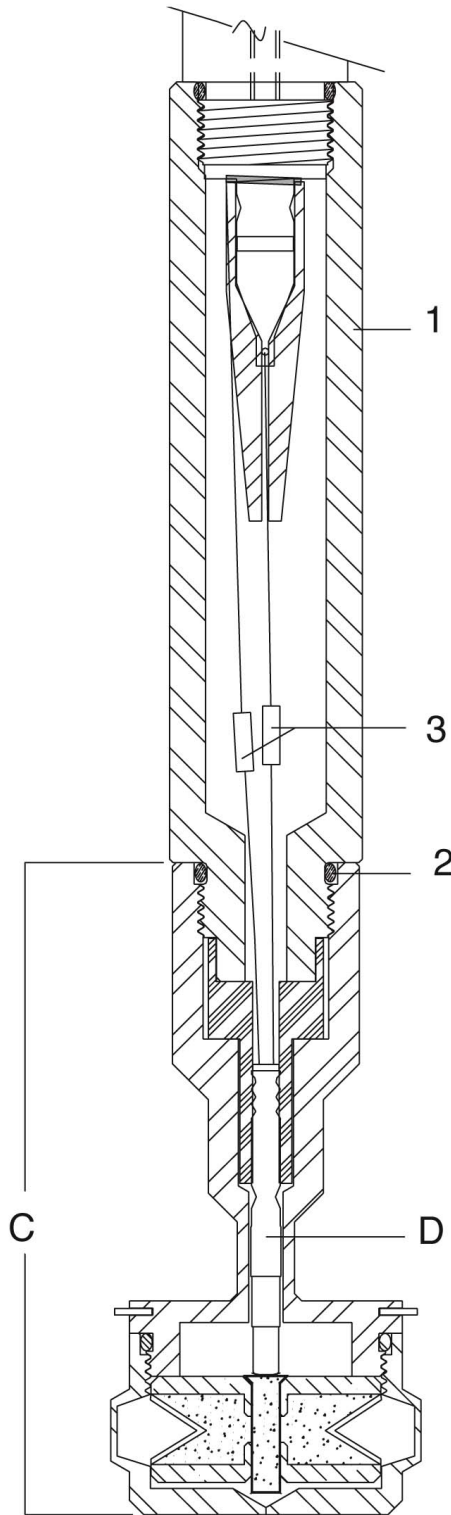
Owen’s NT tubing and NT drill pipe cutters were designed to cut tubing or drill pipe during Pipe Recovery Operations.

Benefits/Capabilities:

- “Air shippable” at Class 1.4D
- Conforms to API RP-67
- Cutters should be centralized and run in recommended applications to maximize effectiveness of the tool.

Specifications:

RUNNING DIAMETER	2.50”	3.00”
Temperature Rating (F)	400 - 500	400 - 500
Pressure Rating (PSI)	15,000	12,000
Explosive Weight (g)	54	54
Recommended Application	3.5” Drill Pipe, 13.3# - 15.5#	4” Drill Pipe, 14# - 15.7#



ITEM	DESCRIPTION	PART NUMBER 2.50" - 3.00"
1	Steel Extension Adapter	CUT-0100-087
	Aluminum Shock Sub - Open Bore	CUT-0100-079
2	O-Ring, Size -214	OOO-V569-214
3	Splice Boot	PUR-0210-001
D	Tubing Cutter Detonator	DET-3050-009L or DET-3050-409
C	2.50" NT DP Cutter	CUT-2500-402NT
	3.00" NT DP Cutter	CUT-3000-062NT

- Items 1 - 3 and detonator must be ordered separately from cutter assembly.
- Alternate arming assembly available, using JRC style extension adapter with button contacts, CUT-0100-078 and detonator with spring contacts, DET-3050-009E.

NOTE: NT Tubing / Drill Pipe Cutters can be run using Safe Detonator Systems or RF-Safe Green Det™. Please Reference Safe Ignition Systems Section of Owen Catalog.

WARNING

Use of Owen equipment contrary to manufacturer's specifications may result in property damage, serious injury or fatality. If you are not trained in the handling and use of explosive devices, do not attempt to assemble any Owen Perforating Systems or Owen Firing Devices.

For Technical Assistance, Please Contact:

Owen Oil Tools
12001 County Road 1000
Godley, TX. 76044

Tel: (817) 551-0540 Fax: (817) 551-0795

<http://www.corelab.com/owen>