

Description:

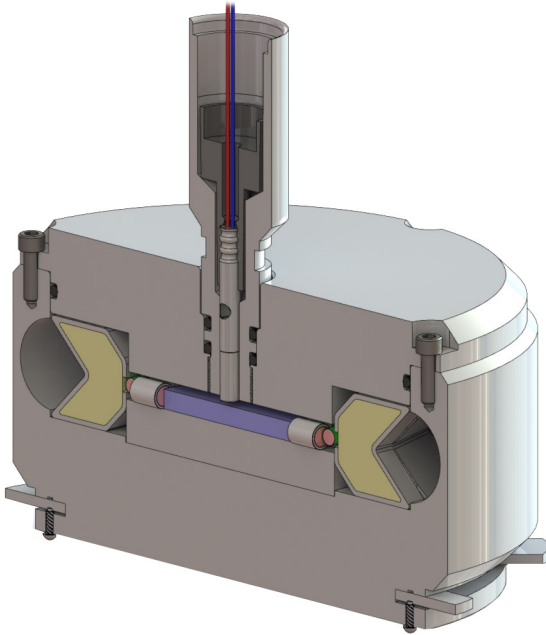
Owen's Segmented Tubing Cutters were designed for use in Pipe Recovery Operations. The cutter is shipped as a unit and can be assembled on location.

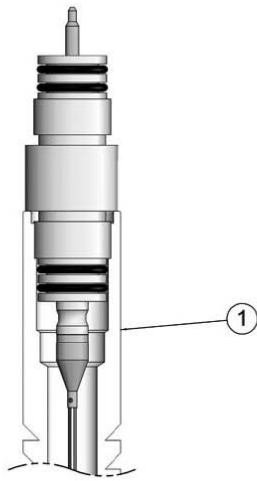
Benefits/Capabilities:

- "Air shippable" at Class 1.4S
- Conforms to API RP-67
- Cutters should be centralized and run in recommended applications to maximize effectiveness of tool.

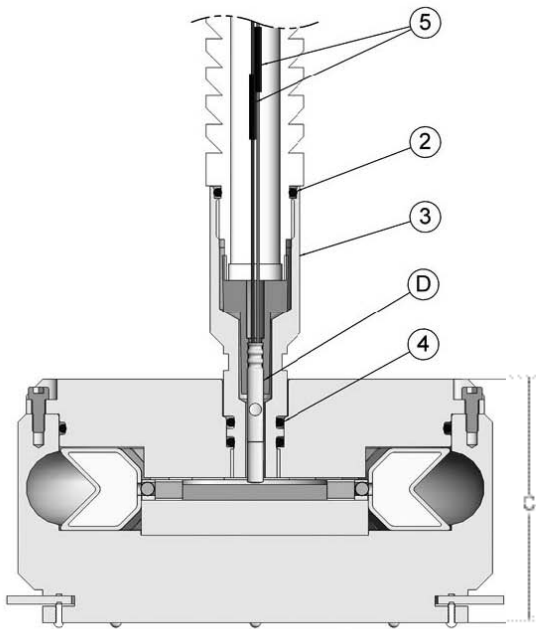
Specifications:

RUNNING DIAMETER	7.250"	8.250"	9.500"	12.000"
Temperature Rating (F)	325	325	325	325
	400	400	400	400
	500	500	500	500
Pressure Rating (PSI)	9,000	10,000	10,000	4,000
Explosive Weight (g)	334	402	468	650
Recommended Application	8-5/8" Casing 24# - 49#	9-5/8" Casing 32.3# - 53.5#	11-3/4" Casing 42# - 60#	13-3/8" Casing 48# - 77#





ITEM	DESCRIPTION	PART NUMBER
1	Steel Extension Adapter	CUT-0100-087
	Adapter Housing - 3/4" pipe	CUT-0100-109
	Aluminum Shock Sub - Open Bore	CUT-0100-079
	Aluminum Shock Sub w/contacts -JRC Style	CUT-0100-078
2	O-ring, Size -214 Viton	OOO-V569-214
3	Detonator Adapter	CUT-0100-082
4	O-ring, Size -208 Viton	OOO-V569-208
5	Splice Boot	PUR-0210-001
D	Cutter Detonator - Booted det with lead wires	DET-3050-009L or DET-3050-409
	Cutter Detonator - Booted det with spring contact	DET-3050-009E
	Casing Cutter Detonator	DET-3052-301



ITEM	DESCRIPTION	PART NUMBER	
C	Segmented Casing Cutter Assembly	7.250" OD	8.250" OD
	325F	CUT-7250-031	CUT-8250-031
	400F	CUT-7250-032	CUT-8250-032
	500F	CUT-7250-033	CUT-8250-033
	Segmented Casing Cutter Assembly	9.500" OD	12.000" OD
	325F	CUT-9500-031	CUT-1200-031
	400F	CUT-9500-032	CUT-1200-032
	500F	CUT-9500-033	CUT-1200-033

* Item 3 and 4 included with assembly

** Detonator not included with cutter.

*** DET-3050-009E for use with CUT-0100-078 Only.

**** DET-3052-301 for use with CUT-0100-109 Only.

CUT-0100-082 and OOO-V569-214 not used.

***** CUT-0100-078, CUT-0100-079, CUT-0100-087,
DET-3050-009E, and DET-3050-009L not shown.

Note: Casing Cutters can be run using Safe Detonator Systems or Owen's RF-Safe Green DET™ with rubber retainer/boot.

Please Reference Safe Ignition Systems Section of Owen Catalog.

DHT Specialties LLC
3856 Industrial Circle
Bossier City, LA 71112
318-707-4807
www.dhtspecialties.com